

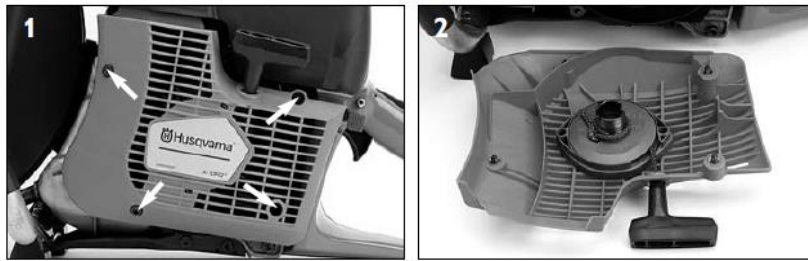
Replace Cut Quick Barrel & Piston

This example use a **Husqvarna K760**, with extra notes on the K960/K970, but many machines are a similar design.

Disclaimer: Do not attempt this rebuild unless you are competent.

The information on this page is provided in good faith and believed to be reliable and accurate at this time. However, the information is provided on the basis that the reader will be solely responsible for assessing the information and its veracity and usefulness. UDT shall in no way be liable, in negligence or howsoever, for any loss sustained or incurred by anyone relying on the information, even if such information is or turns out to be wrong, incomplete, out-of-date or misleading.

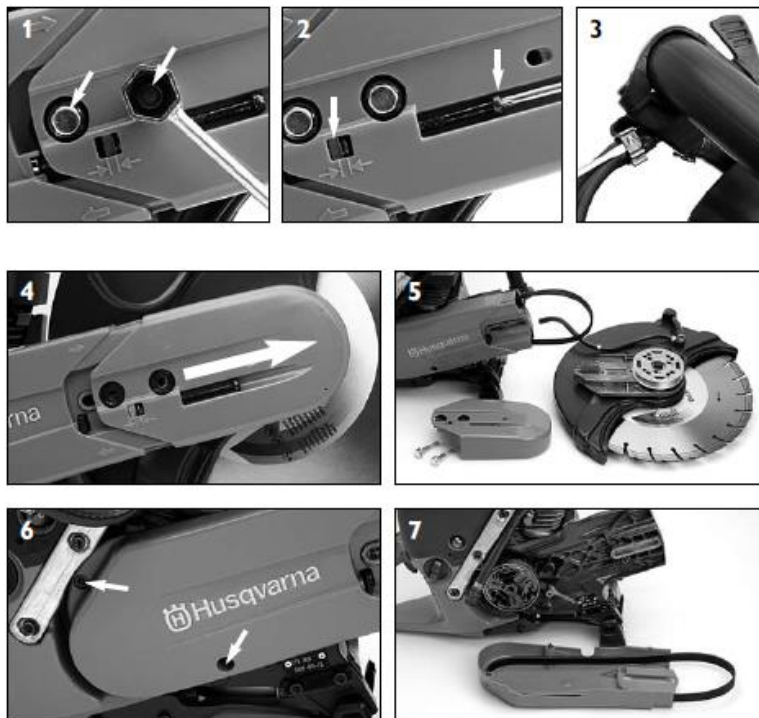
Remove starter:



Starter

1. Loosen the starter's 4 screws.
2. Remove the starter.

Remove cutting head:



Cutting head

1. Loosen the screws to the cutting head. (Tightening torque when mounting 18-22 lbf-ft/25-30 Nm.)
2. Loosen the tension of the belt with the adjuster screw.
3. Detach the hose clip.
4. Remove the screws to the cutting head. Remove the front belt guard by pushing it forward.
5. Detach the hose at the water valve. Lift off the belt from the belt pulley and remove the cutting head.
6. Loosen the rear belt guard's two screws. (Tightening torque when mounting 6.6-8.1 lbf-ft/9-11 Nm.)
7. Remove the guard.

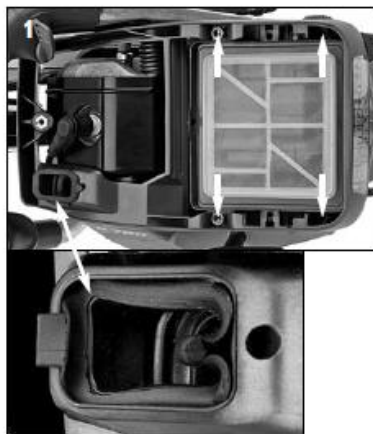
Remove air filter:



Air filter

1. Loosen the guard's three screws and remove the guard.
2. Loosen the two screws that hold the filter bottom.
3. Lift up the filter bottom together with the filter.
4. Press the filter out of the filter bottom.

Remove Cylinder Cover:



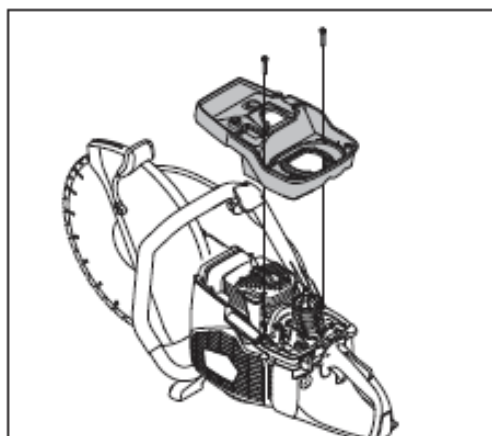
Cylinder cover

1. Loosen the four screws on the cylinder cover.
Press together the rubber seal's collar so that the cylinder cover can be lifted off.
2. NOTE! When reassembling the rubber seal must be drawn up through the cover and the collar then adjusted to fit correctly against the cover.

K970 is different:

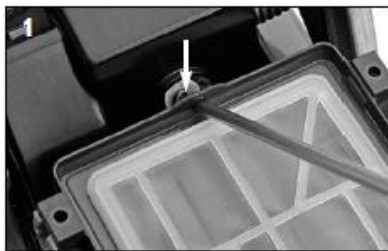
6.4. CYLINDER COVER

1. Loosen the cylinder covers' two screws.
2. Lift off the cylinder cover.



REMOVE THE CYLINDER COVER

Remove Carbie:



Carburettor

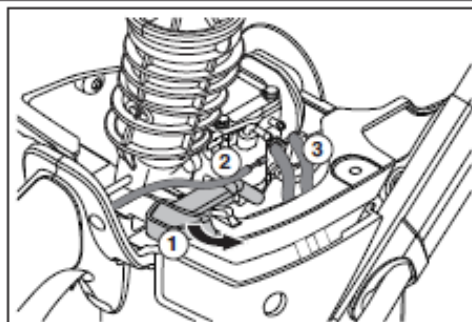
1. The carburettor unit is attached to the cylinder by a single screw. Loosen the screw.
2. Lift out the carburettor unit. Detach the petrol hose and the hose to the "air purge" from the carburettor.
Tip: Tape the throttle control in the full throttle position to improve access to the throttle rod's attachment on the throttle control.
3. Pull the throttle rod out of the control.
4. The entire carburettor unit can now be lifted out.

K970 is different:

Dismantling into basic modules

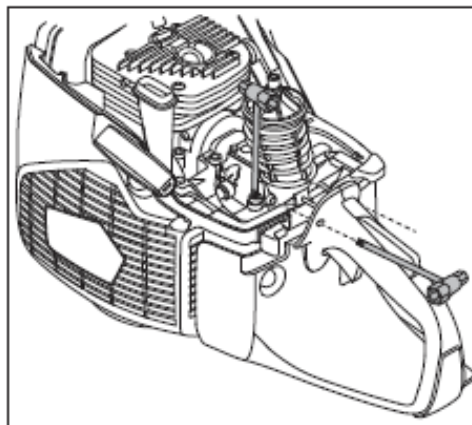
6.5. CARBURETTOR

1. Remove the choke by turning it sideways and pulling it out of its bracket.
2. Detach the carburettor's throttle wire.
3. Pull off the fuel line from the carburettor.



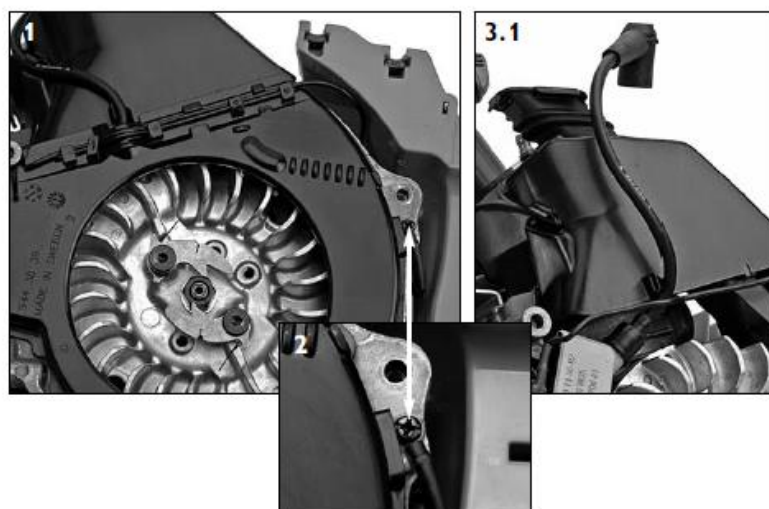
REMOVE THE CHOKE AND OIL HOSES

4. Remove the screw holding the carburettor on the crankcase.
5. Now insert the Torx key through the hole in the handle and loosen both screws holding the carburettor on the inlet manifold.



REMOVE THE SCREWS HOLDING THE CARBURETTOR

Remove air duct:



Air duct

Start by removing the starter, air filter cover and cylinder cover.

1. Lower air duct

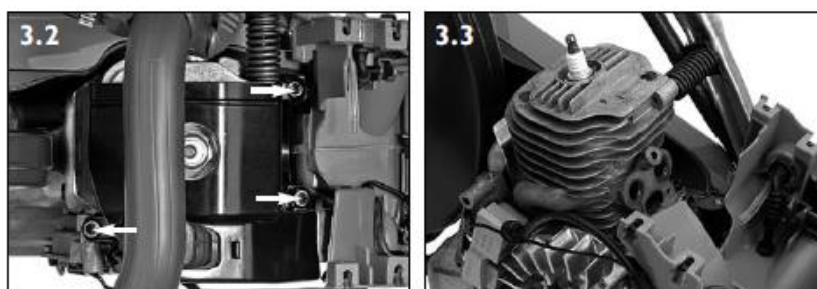
In order for reassembly to be correct, note how the cable to the stop switch is mounted in the air duct. Lift the cable out of its attachment.

2. Engine's earth point

The engine's earth point to the stop button is placed here.

3. Upper air duct

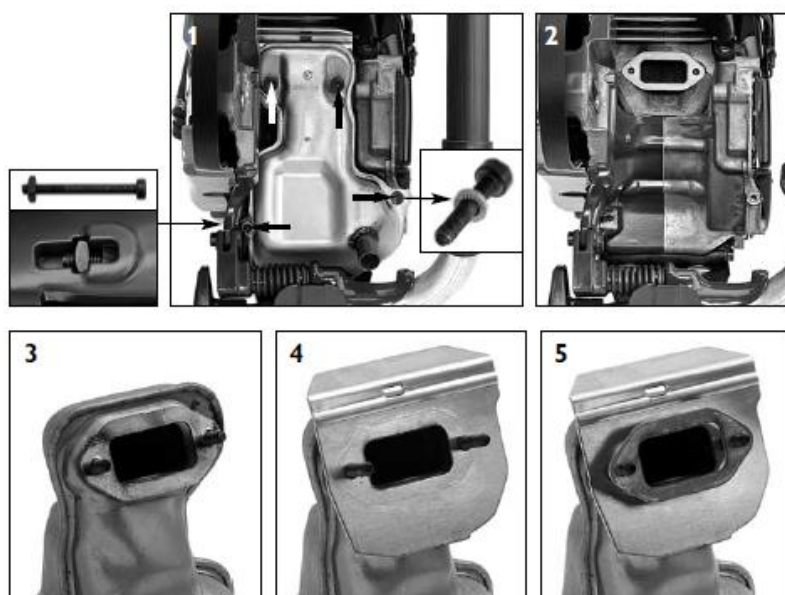
3.1 Detach the ignition cable at the spark plug and lift the cable out of its attachment in the cover.



3.2. Dismantle the three screws on the air duct cover.

3.3. Lift off the air duct cover.

Remove muffler:



Muffler

Dismantle the cutting head and the starter.

1. Dismantle the four screws on the muffler.

2. Dismantle the muffler.

Fit the gaskets correctly!

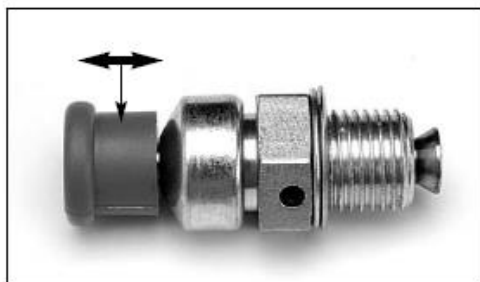
3. The insulated fibre gasket should lie closest to the muffler.

4. Fit the heat shield.

5. The aluminium gasket should lie against the cylinder.

The screws should be tightened to a torque of 8.0-9.5 lbf-ft/11-13 Nm.

Remove decompression button:



Dismantling

Use a long socket or the combination spanner to dismantle the decompression valve.

Service

Check that the valve moves. Clean the valve of soot and deposits.

Dismantling

Use a long socket or the combination spanner, 506 38 26-01, to dismantle the decompression valve.

Service

Check that the valve moves. Carbon removing chemicals or a light oil (diesel oil) can help a jammed valve to work again. Blown clean the valve with compressed air. Carbon deposits on the valve and the seating can be removed using fine emery cloth.

Remove Cylinder:



Cylinder

Dismantling

It may be appropriate to secure the engine body in a vice to facilitate work. Use soft jaw guards!

Dismantle the cylinder.

Cylinder

Dismantling

It may be appropriate to secure the engine body in a vice to facilitate work. Use soft jaw guards!

Dismantle the 4 screws at the base of the cylinder and lift off the cylinder.

Remove Piston, gudgeon and bearing:



Piston

Dismantling

Place the support plate under the piston.

Seal with a cloth or paper so as not to risk anything falling down into the crankcase.



Dismantle the circlips on both sides of the gudgeon pin.

Piston

Dismantling

Place the support plate under the piston.

Seal with a cloth or paper so as not to risk anything falling down into the crankcase.

Dismantle the circlips on both sides of the gudgeon pin using a pair of pliers. Turn and press together the circlip at the same time as it is pulled outwards.



Dismantle the needle bearing

Dismantle the needle bearing

Press the needle bearing out of connecting rod.



Piston rings

Dismantle the piston rings.

Piston rings

The piston rings are dismantled without tools using the following method. Slide the piston ring towards you, so you can grip the ends. Carefully expand the ring and move it away from you, so it can be lifted out of the groove at the rear edge. Assemble the parts in the reverse order.

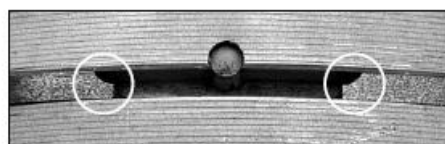


Important when assembling

Fit the open part of the piston ring so it aligns with the guide pin.

Important when assembling

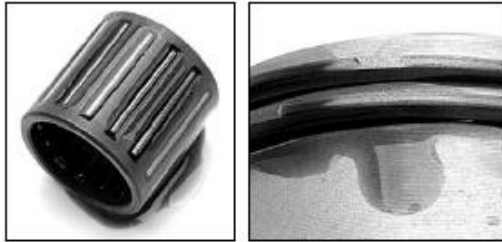
The piston ring groove has a guide pin that prevents the piston rings from rotating. Fit so that the open part of the piston ring aligns with the guide pin.



Turn the piston ring with the bevelled edge towards the guide pin.

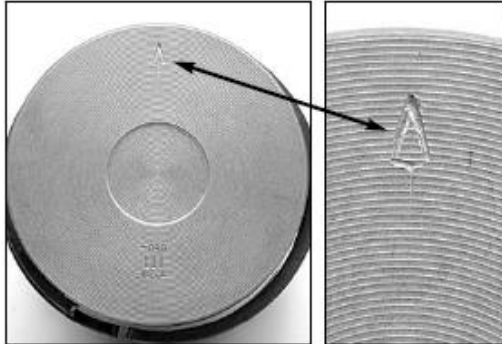
Turn the piston ring with the bevelled edge towards the guide pin.

Assembly:



Assembly

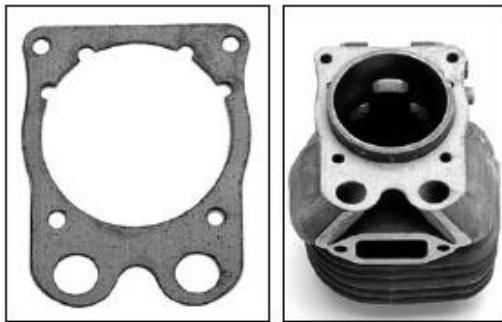
Oil in



The arrow pointing towards the exhaust port

It is important that the arrow is turned towards the muffler when assembling the piston on the connecting rod.

Fit the needle bearing in the connecting rod. Fit a circlip in the piston, hold the piston in position, press in the gudgeon pin and fit the other circlip.



Cylinder base gasket

Carefully clean off any old gasket residue from the surfaces that connect with the gasket.

Fit the gasket on the cylinder.

Assembly

Oil in

New or cleaned bearings and piston rings should be oiled in with 2-stroke oil before assembly to initially ensure satisfactory lubrication.

The arrow pointing towards the exhaust port

The piston is not symmetrical. It is important that the arrow is turned towards the muffler when assembling the piston on the connecting rod.

Fit the needle bearing in the connecting rod. Fit a circlip in the piston, hold the piston in position, press in the gudgeon pin and fit the other circlip. Check that the circlips are seated correctly in their grooves.

Cylinder base gasket

It is extremely important that the base of the cylinder seals tight against the crankcase. Carefully clean off any old gasket residue from the surfaces that connect with the gasket.

Fit the gasket on the cylinder.



Assemble the cylinder

Check that the opening on the piston rings align with the guide pin.

Press the piston rings together using the piston ring compressor.

Press down the cylinder over the piston and let the piston ring compressor slide along the piston.

Fit the screws on the base of the cylinder and tighten these crosswise to a torque of 10-11 lbf-ft/14-15 Nm.



Assemble the cylinder

Check that the opening on the piston rings align with the guide pin.

Press together the piston rings using a suitable piston ring compressor included in the tool kit 502 50 70-01. Place the piston ring compressor a few millimetres below the top of the piston to facilitate the next phase.

Press down the cylinder over the piston and let the piston ring compressor slide over the piston until the cylinder has past the piston rings.

Remove the piston ring compressor and the support plate align the cylinder on the crankcase.

Fit the screws on the base of the cylinder and tighten these crosswise to a torque of 10-11 lbf-ft/14-15 Nm.

Reassemble muffler, air cleaner etc as reverse of disassembly.

1. Make sure you fit star washers on muffler screws or they will come loose.
2. When putting starter back on, pull cord out 30cm, position starter on machine, and slowly release so that starter pawls line up. Tighten four screws to 7-9 Nm or 5-6.5lb/ft.
3. Tension belt as per your operators manual (download from www.udt.com.au) by either:

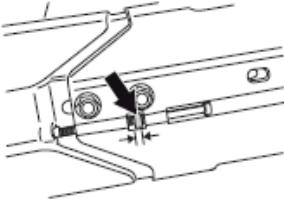
Two bolt (K760, K960):

Three bolt (K770, K970):

Drive belt

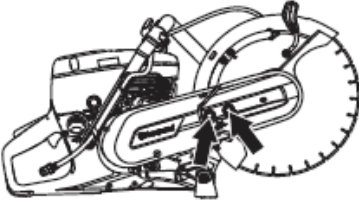
Check the tension of the drive belt

- For correct tensioning of the drive belt, the square nut should be positioned opposite the marking on the belt cover.

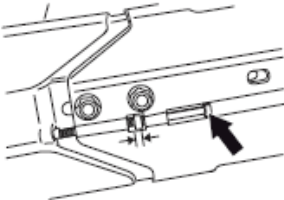


Tensioning the drive belt

- The tension of a new drive belt must be readjusted after one or two tanks of fuel have been used.
- When the machine is equipped with a friction retarder, a scraping sound can be heard from the bearing housing when the blade is turned by hand. This is quite normal. Please contact an accredited Husqvarna workshop if you have any questions.
- The drive belt is enclosed and well protected from dust and dirt.
- When the drive belt is to be tensioned, release the bolts holding the cutting arm.

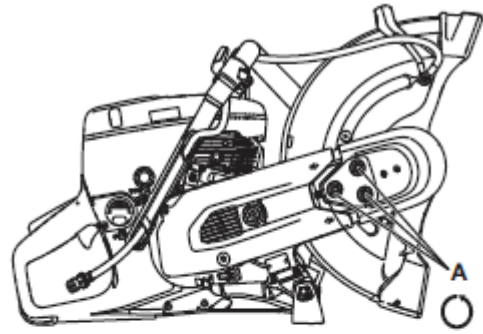


- Screw the adjuster screw so that the square headed nut comes opposite the marking on the cover. This automatically ensures that the belt has the correct tension.

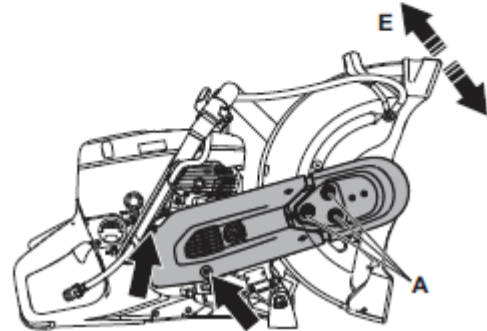


- Tighten both of the screws holding the cutting head using a combination spanner.

- Loosen the three bolts (A) one turn anticlockwise.

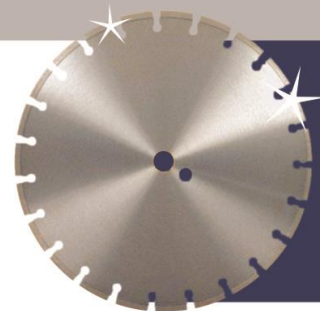


- Wiggle the blade guard (E) up and down 3-5 times, and then tighten the nuts (A) with the combination spanner.



Bibra Lake 0419 901 533

UNITED
DAMOND
TOOLS



Unit 10 / 84 Barberry Way
Bibra Lake WA 6163
Tel 08 9434 6878
Mob 0419 901 533
sales@udt.com.au
www.udt.com.au
ABN 12 621 543 173