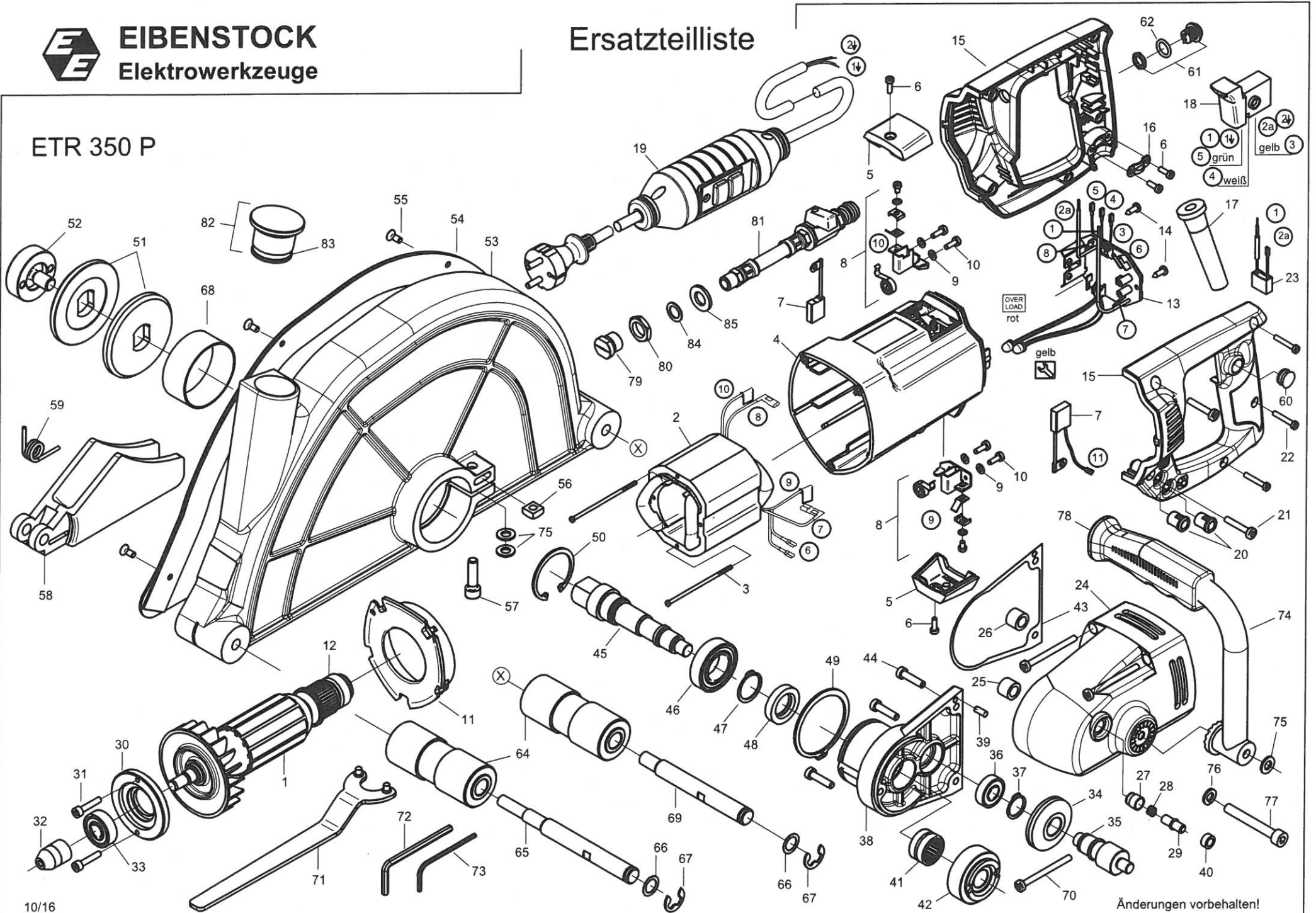




**EIBENSTOCK**  
Elektrowerkzeuge

# Ersatzteilliste

ETR 350 P



# ETR 350 P - 230 V

06818000

No.	Description	Order No.	Pcs	No.	Description	Order No.	Pcs	I
1	rotor complete	76815100	1	44	allen screw M6x20	80201124	3	€
2	stator complete	73641150	1	45	work spindle	76815420	1	
3	special screw Meplast 3x78	80201234	2	46	grooved ball bearing 6005 2RS	80410061	1	
4	motor housing black	73E31200	1	47	locking ring 25/1,2	80201327	1	
5	cover pair	73E3121U	1	48	shaft seal ring 20x35x7	83000078	1	
6	pt-screw 40x12	80201413	4	49	locking ring 60/2	80201650	1	
7	carbon brush set	73E31220	1	50	locking ring 47/1,75	80201336	1	
8	brush holder	73E3122S	2	51	spring washer	76815560	2	
9	lock washer B4	80201385	4	52	clamp screw	76815583	1	
10	self tapping screw CM4x12	80201180	4	53	suction hood	76818575	1	
11	air guiding ring	73641145	1	54	cover plate	76818576	1	
12	bearing cap	83000031	1	55	countersunk screw M5x12	80201226	4	
13	PCB / circuit board	76815280	1	56	nut M8	40600048	1	
14	self tapping screw HC 4,2x13	80201270	2	57	screw M8x30	80201143	1	
15	pair of handle halves	7681826U	1	58	dust collector	76815650	1	
16	wire locking flange	85000020	1	59	torsion spring	76815655	1	
17	cable grommet	83000004	1	60	plug	76717253	1	
18	switch	76815360	1	61	push button	80600068	1	
19	connecting cable PRCD,2x1,5², 5m	76818262	1	62	o-ring 12x2,5	83000176	1	
20	fastener	80601153	2	63				
21	pt-screw 50x30	80201411	2	64	roller 1	76815572	2	
22	pt-screw 40x25	80201412	3	65	shaft 1	76815573	1	
23	anti parasite condenser	73E31305	1	66	washer 15	80201352	2	
24	gearbox housing green	76815400	1	67	lock washer 12	80201651	2	
25	needle sleeve DL 1212	80420129	1	68	bushing	76815408	1	
26	needle sleeve DL 1012	80420116	1	69	shaft 2	76815577	1	
27	bush 1	75412554	1	70	pt-screw 50x60	80201484	3	
28	compression spring 0,7x8,5x9x1,5	80200802	1	71	face spanner	80430042	1	
29	bolt	75412425	1	72	spanner SW6	80430043	1	
30	disc	76815310	1	73	spanner SW3	80430053	1	
31	screw M5x25	80201127	2	74	tube handle	76815590	1	
32	bevel pinion	85000325	1	75	washer 8,4 ZN	80201377	3	
33	grooved ball bearing 6201 LUZ	80410101	1	76	lock washer A8	80201309	1	
34	bevel gear	85000326	1	77	screw M8x55	80201224	1	
35	intermediate shaft	76815490	1	78	rubber handle	83000006	1	
36	grooved ball bearing 6001 2Z	80410031	1	79	nozzle	76818955	1	
37	locking ring 17/1	80201323	1	80	nut G3/8"	85000138	1	
38	gearbox cover	76815405	1	81	water connector complete	76818950	1	
39	cylinder pin 5m6x14	80200579	1	82	sealing plug complete	7681894S	1	
40	bush 2	75412555	1	83	o-ring 25x5	83000038	1	
41	bearing NK 20/16	80420145	1	84	seal ring 1/4"	83000107	1	
42	spindle wheel	76815430	1	85	washer A13,5	80201382	1	
43	gearbox seal	82000513	1					