

# GÖLZ®



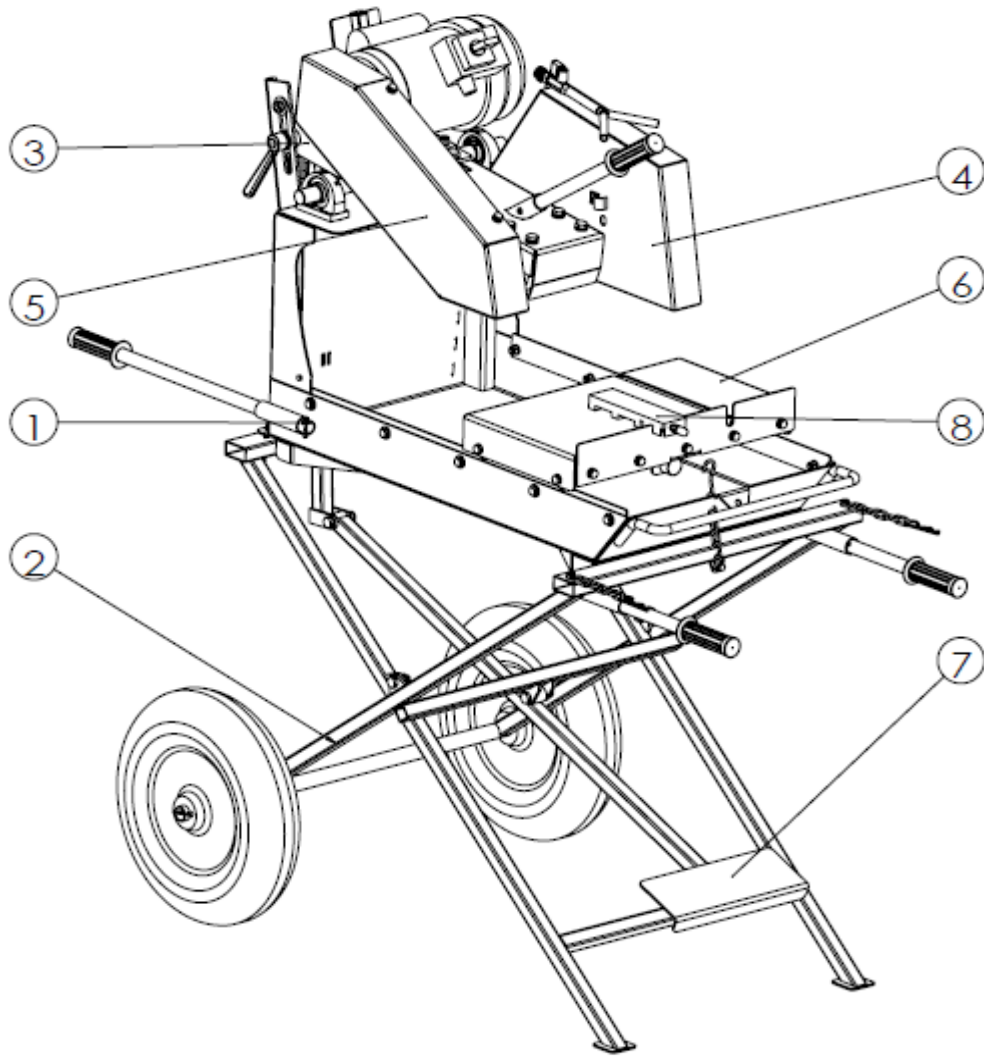
## **Australia**

**Spare parts list**

**Australia  
Spare parts list  
Content**

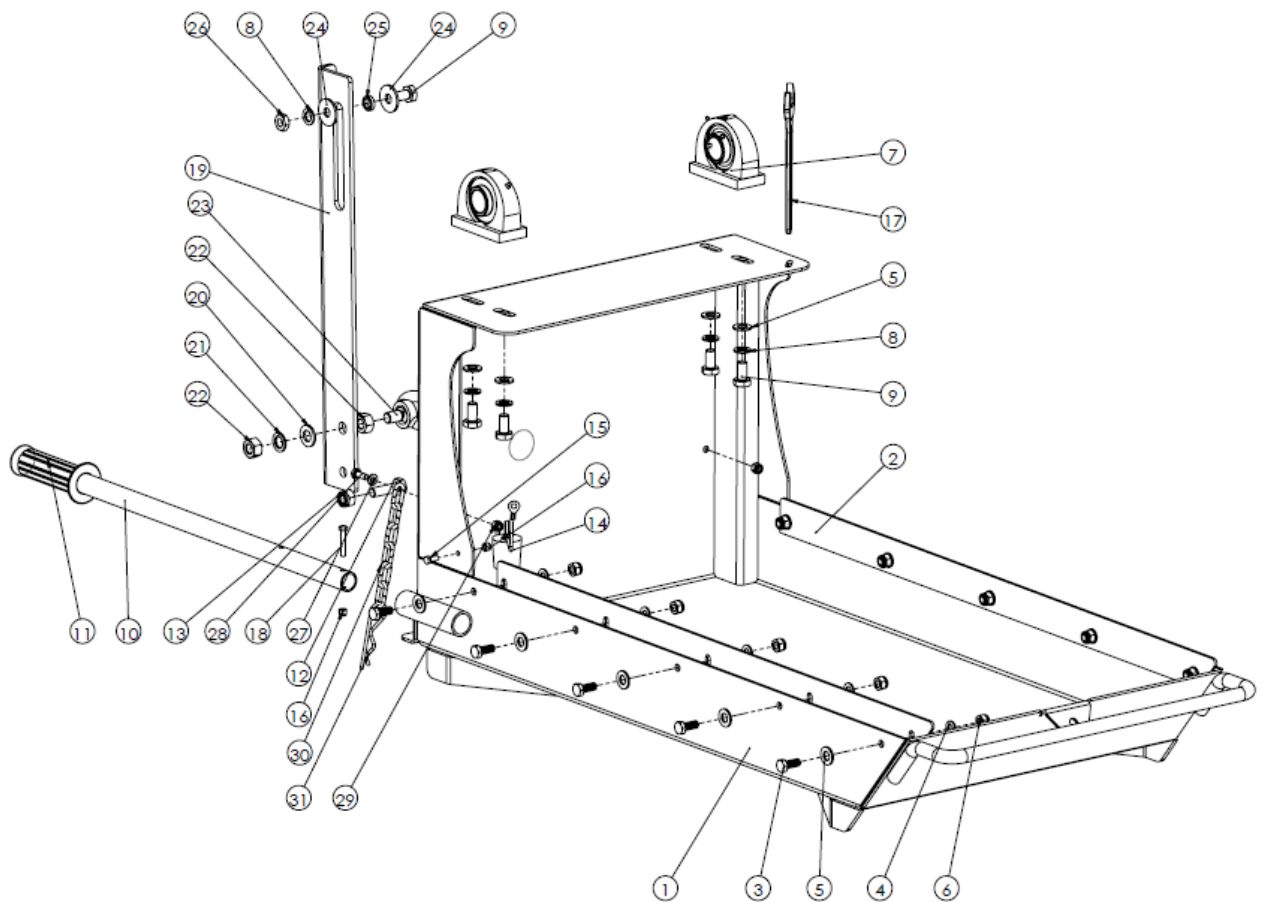
<b><u>1</u></b>	<b><u>Machine A004567</u></b>	<b>错误！未定义书签。</b>
<b><u>2</u></b>	<b><u>main frame assembly A004540</u></b>	<b>错误！未定义书签。</b>
<b><u>3</u></b>	<b><u>leg assembly A004550</u></b>	<b>5</b>
<b><u>4</u></b>	<b><u>cutting head assembly A004570</u></b>	<b>6</b>
<b><u>5</u></b>	<b><u>blade guard assembly A004588</u></b>	<b>7</b>
<b><u>6</u></b>	<b><u>belt guard assembly A004577</u></b>	<b>8</b>
<b><u>7</u></b>	<b><u>cutting table assembly A004581</u></b>	<b>9</b>
<b><u>8</u></b>	<b><u>pedal construction assembly A004568</u></b>	<b>10</b>
<b><u>9</u></b>	<b><u>mitre block assembly A004929</u></b>	<b>错误！未定义书签。</b>
<b><u>10</u></b>	<b><u>water plug assembly A000213</u></b>	<b>错误！未定义书签。</b>

## 1 Machine A004567



Position No	Article No	Description	Qty
A004567 / 1	CMS000165	main frame assembly	1
A004567 / 2	CMS000166	leg assembly	1
A004567 / 3	CMS000168	cutting head assembly	1
A004567 / 4	CMS000171	blade guard assembly	1
A004567 / 5	CMS000169	belt guard assembly	1
A004567 / 6	CMS000170	cutting table assembly	1
A004567 / 7	CMS000167	pedal construction assembly	1
A004567 / 8	CMS000172	mitre block assembly	1

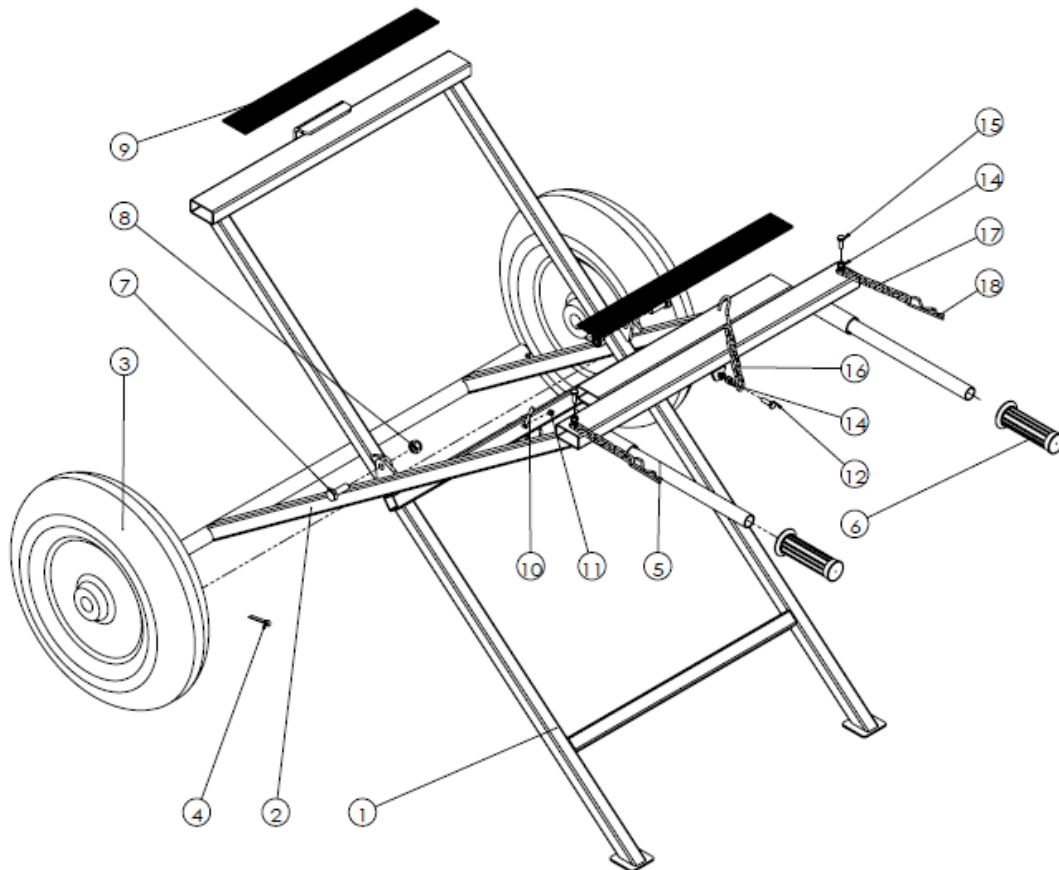
## 2 main frame assembly A004540



Position No	Article No	Description	Qty
A004540 / 1	C04021444	main frame welded	1
A004540 / 2	C04021382	guide rail	2
A004540 / 3	C02010043	hex head screw ISO 4017 - M8x20	10
A004540 / 4	C02030017	washer ISO 7089- 8 - 140HV	10
A004540 / 5	C02030012	washer ISO 7089- 10 - 140HV	14
A004540 / 6	C02020010	ISO7040-M8	10
A004540 / 7	C02050031	Bearing UCPA205-D25	2
A004540 / 8	C02030008	spring washer DIN127-A10	5
A004540 / 9	C02010171	DIN933-M10x20	5
A004540 / 10	C04021434	round tube	2
A004540 / 11	C03020076	handle sleeve-22	2
A004540 / 12	C02010188	hex head screwDIN 933 - M10x35	1
A004540 / 13	C02020008	nylon lock nut DIN982 M10	1
A004540 / 14	CMS000011	water plug assembly	1
A004540 / 15	C02010203	hex head screw ISO 4017-M5x12	1
A004540 / 16	C02020045	nylon locking nut ISO7040-M5	3
A004540 / 17	C04020121	spanner19mm	1
A004540 / 18	C02010222	hex head screw ISO 4017- M5x30	2
A004540 / 19	C04021378	plate	1
A004540 / 20	C02030021	washer-ISO7089-12	1
A004540 / 21	C02030024	spring washer DIN127-A12	1
A004540 / 22	C02020053	hex nut DIN 934-M12	2

A004540 / 23	C02010223	eye bolt DIN580 M12x40	1
A004540 / 24	C02030041	large washer ISO 7093-10	2
A004540 / 25	C04021430	bush	1
A004540 / 26	C02020057	Hexagon thin nut DIN 936-M10	1
A004540 / 27	C02030020	washer ISO7089-6	2
A004540 / 28	C02010105	hex head screw ISO 4017-M6x16	2
A004540 / 29	C02020037	nylon locking nut ISO 7040-M6	2
A004540 / 30	C04021461	chain	2

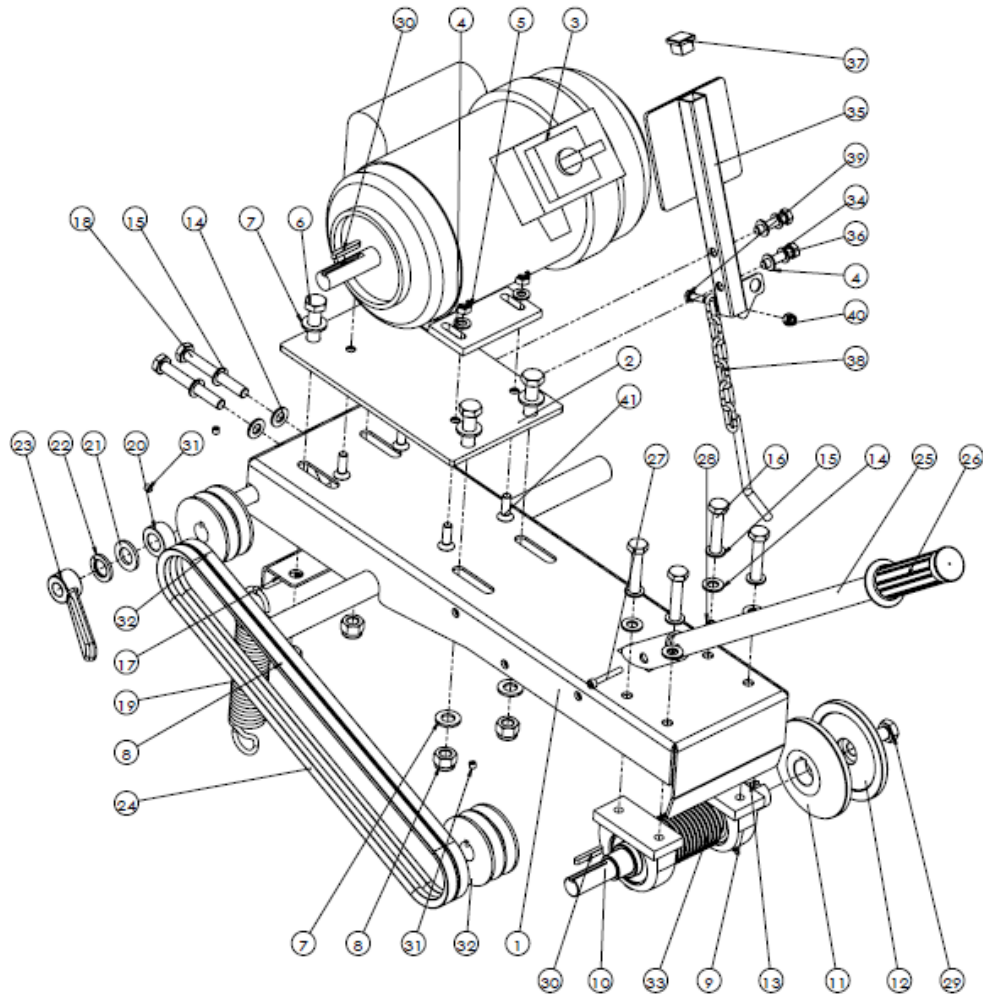
### 3 leg assembly A004550



Position No	Article No	Description	Qty
A004550 / 1	C04021445	fixed leg welded	1
A004550 / 2	C04021446	mobile leg welded	1
A004550 / 3	C03010171	wheel 16"	2
A004550 / 4	C02040011	split pin ISO 1234-5x32	2
A004550 / 5	C04021429	round tube	2
A004550 / 6	C03020076	handle sleeve-22	2
A004550 / 7	C02010159	hex head screw DIN933-M10x30	2
A004550 / 8	C02020008	nylon lock nut DIN982 M10	2
A004550 / 9	C03020125	rubber mat	2
A004550 / 10	C02010222	hex head screw ISO 4017- M5x30	2
A004550 / 11	C02020045	nylon locking nut ISO7040-M5	2
A004550 / 12	C02010061	ISO4017-M6x20	1
A004550 / 13	C02030020	washer ISO7089-6	3
A004550 / 14	C02020037	nylon locking nut ISO 7040-M6	3
A004550 / 15	C02010105	hex head screw ISO 4017-M6x16	2

A004550 / 16	C04021457	hook welded	1
A004550 / 17	C04021461	chain	1
A004550 / 18	C04021462	R pin	2

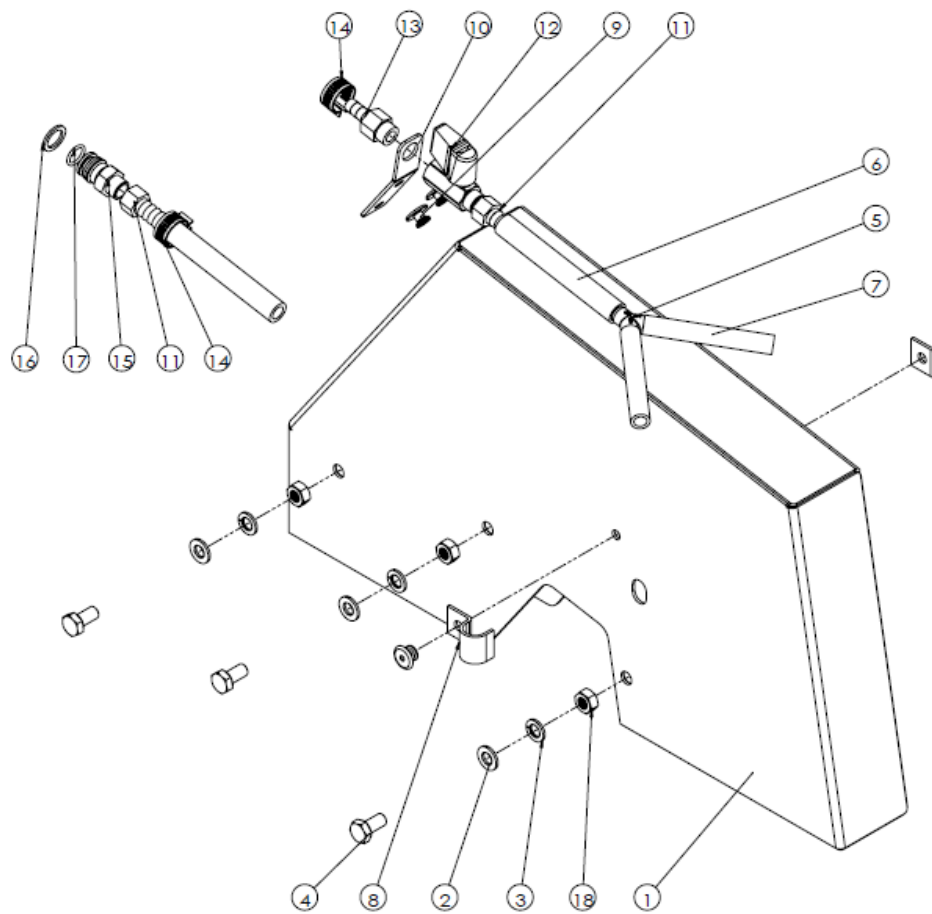
#### 4 cutting head assembly A004570



Position No	Article No	Description	Qty
A004570 / 1	C04021448	cutting head welded	1
A004570 / 2	C04021388	mounting plate	1
A004570 / 3	C05010047	1.7kw motor-CMG	1
A004570 / 4	C02030017	washer ISO 7089- 8 - 140HV	6
A004570 / 5	C02020010	ISO7040-M8	4
A004570 / 6	C02010161	hex head screw DIN933-M12x40	4
A004570 / 7	C02030021	washer-ISO7089-12	8
A004570 / 8	C02020049	nylon lock nut DIN982-M12	4
A004570 / 9	C02050031	Bearing UCPA205-D25	2
A004570 / 10	C04021420	shaft	1
A004570 / 11	C04021423	inner flange	1
A004570 / 12	C04021424	outer flange	1
A004570 / 13	C02010221	flat key DIN6885-A8x7x12(non-standard)	1
A004570 / 14	C02030012	washer ISO 7089- 10 - 140HV	6

A004570 / 15	C02030008	spring washer DIN127-A10	6
A004570 / 16	C02010157	DIN933-M10x50	4
A004570 / 17	C04021454	adjustable plate welded	1
A004570 / 18	C02010224	hex head screw DIN 933 - M10x80	2
A004570 / 19	C02060005	spring	1
A004570 / 20	C04021427	heel block	1
A004570 / 21	C02040047	washer-ISO 7089-M16	1
A004570 / 22	C02030052	spring washer DIN127-A16	1
A004570 / 23	C04021543	handle M16	1
A004570 / 24	C03020124	triangular belt A style -950Li	2
A004570 / 25	C04021443	round tube	1
A004570 / 26	C03020076	handle sleeve-22	1
A004570 / 27	C02010225	socket head cap screw ISO4762-M5x35	1
A004570 / 28	C02020045	nylon locking nut ISO7040-M5	1
A004570 / 29	C02010226	hex head fin thread screwDIN961- M12x1.25x25	1
A004570 / 30	C02040019	flat key DIN6885-A5x5x35	2
A004570 / 31	C02010201	Hexagon socket set screws with flat point ISO4026-M6x6	4
A004570 / 32	C04021419	belt wheel	2
A004570 / 33	C03010170	dust proof tube	1
A004570 / 34	C02030006	spring washer DIN127-A8	2
A004570 / 35	C04021456	protective device welded	1
A004570 / 36	C02010118	hex head bolt ISO4017-M8x35	2
A004570 / 37	C03010079	end cap tube 20x20	1
A004570 / 38	C04021458	pin welded	1
A004570 / 39	C02010061	ISO4017-M6x20	1
A004570 / 40	C02020037	nylon locking nut ISO 7040-M6	1
A004570 / 41	C02010231	socket countersunk head screw ISO 10642-M8x25	4

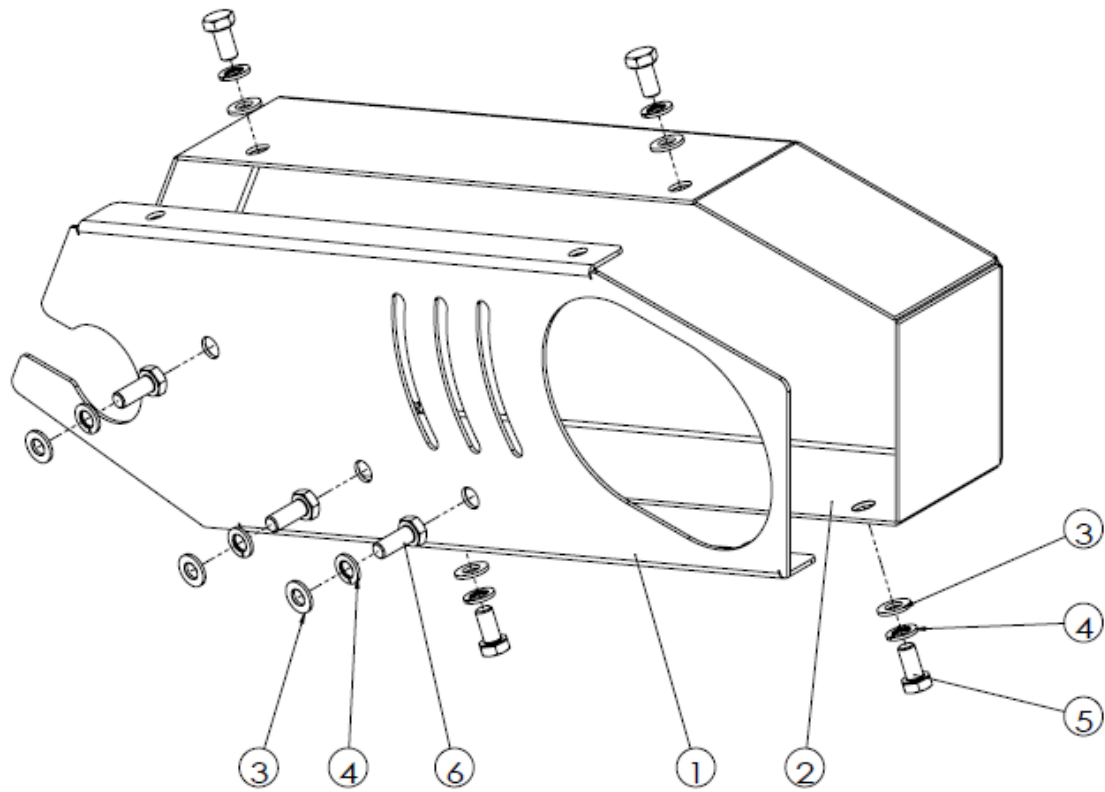
## 5 blade guard assembly A004588



Position No	Article No	Description	Qty
A004588 / 1	C04021453	blade guard welded	1
A004588 / 2	C02030017	washer ISO 7089- 8 - 140HV	3
A004588 / 3	C02030006	spring washer DIN127-A8	3
A004588 / 4	C02010042	hex head screw ISO 4017 - M8x16	3
A004588 / 5	C03010126	Y shape connector-855	1
A004588 / 6	C03010162	spring water pipe	2
A004588 / 7	C03010161	PU water pipe	2
A004588 / 8	C04020581	hose clamp 15mm	2
A004588 / 9	C02010127	rivet DIN 7337-d6x10	4
A004588 / 10	C04021435	plate	1
A004588 / 11	C02070003	gas union 1/4" female	2
A004588 / 12	C02070002	water tap 1/4'	1
A004588 / 13	C02070007	water tube connector	1
A004588 / 14	C04020281	hose clamp $\varnothing$ 16.2	2
A004588 / 15	C04021432	water pipe connector	1
A004588 / 16	C03020128	nylon washer $\varphi$ 13x $\varphi$ 18	1
A004588 / 17	C03020126	O-ring DIN3771-11.2x2.5	1
A004588 / 18	C02020012	hex nut ISO4032-M8	3

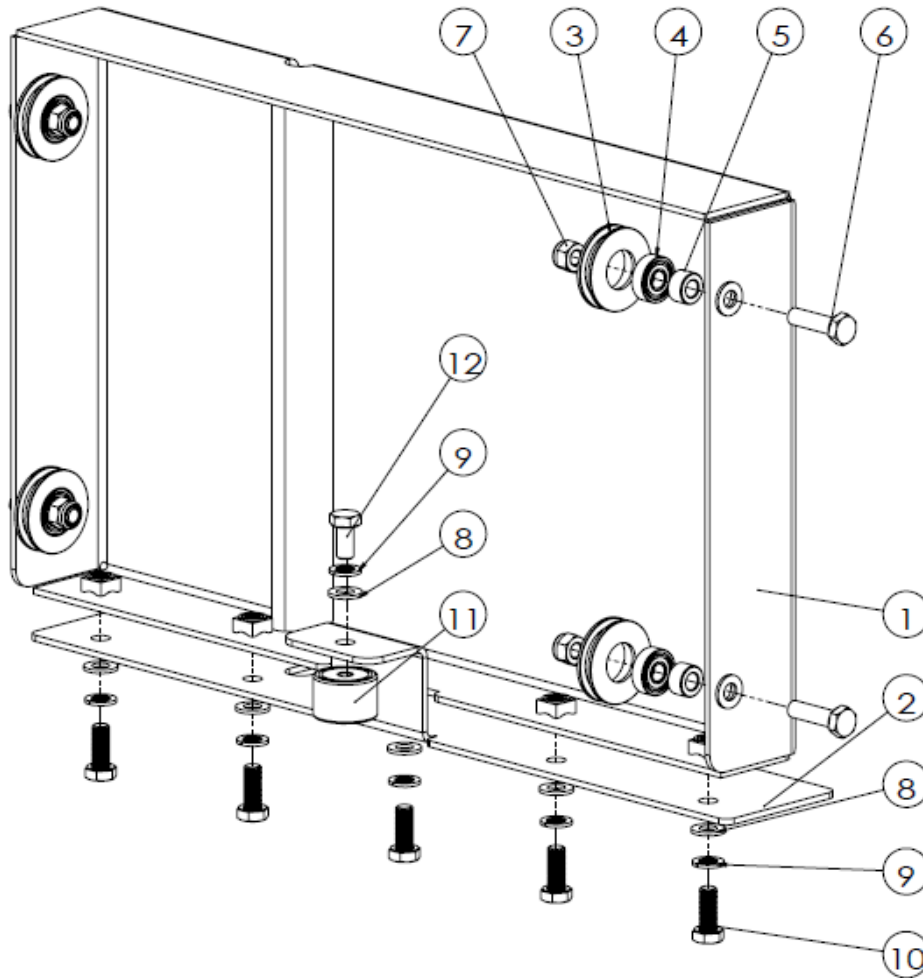


## 6 belt guard assembly A004577



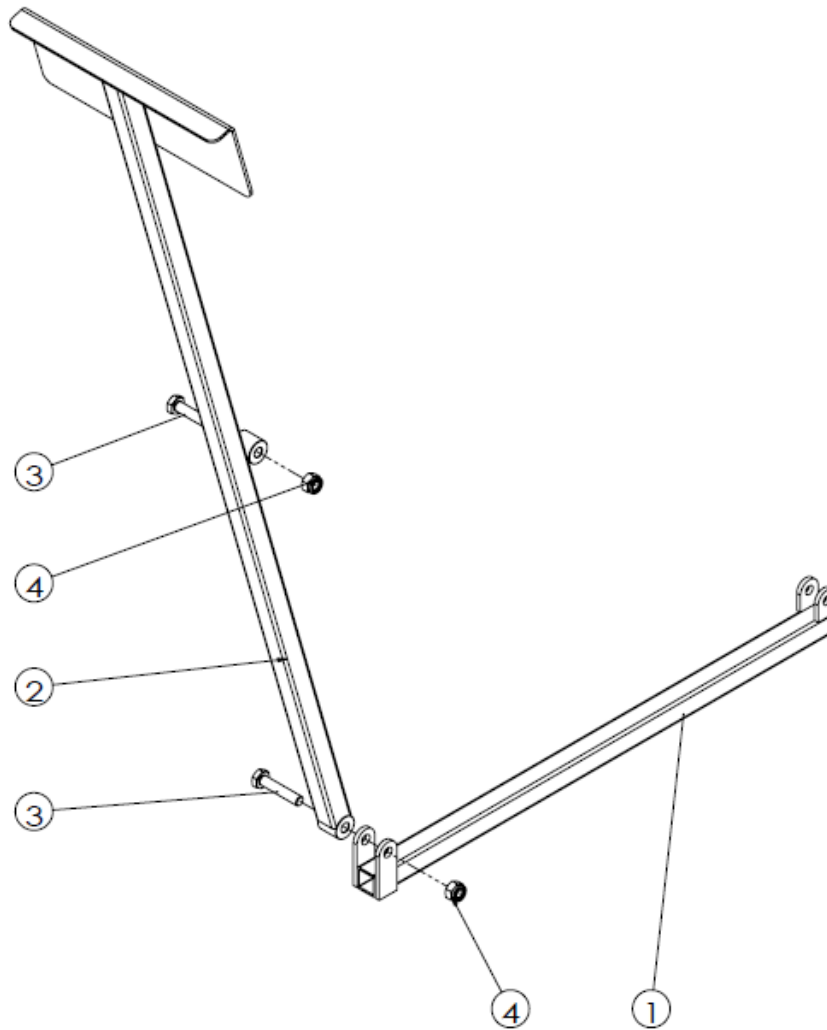
Position No	Article No	Description	Qty
A004577 / 1	C04021451	belt guard welded	1
A004577 / 2	C04021383	plate	1
A004577 / 3	C02030017	washer ISO 7089- 8 - 140HV	7
A004577 / 4	C02030006	spring washer DIN127-A8	7
A004577 / 5	C02010042	hex head screw ISO 4017 - M8x16	4
A004577 / 6	C02010043	hex head screw ISO 4017 - M8x20	3

## 7 cutting table assembly A004851



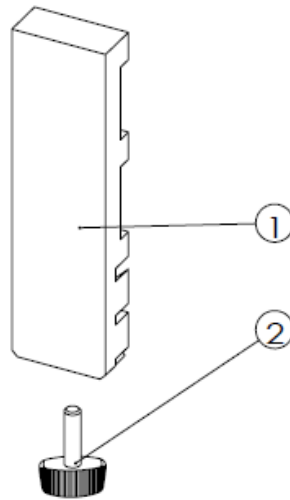
Position No	Article No	Description	Qty
A004581 / 1	C04021452	cutting table welded	1
A004581 / 2	C04021379	plate	1
A004581 / 3	C04021259	wheel	4
A004581 / 4	C02050002	ball bearing DIN625 SKF 608-2RS1	4
A004581 / 5	C04021422	bush	4
A004581 / 6	C02010045	hex head screw ISO 4017- M8x30	4
A004581 / 7	C02020010	ISO7040-M8	4
A004581 / 8	C02030017	washer ISO 7089- 8 - 140HV	10
A004581 / 9	C02030006	spring washer DIN127-A8	6
A004581 / 10	C02010043	hex head screw ISO 4017 - M8x20	5
A004581 / 11	C03020103	vibration absorber GN352-30-20-M8	1
A004581 / 12	C02010042	hex head screw ISO 4017 - M8x16	1

## 8 pedal construction assembly A004568



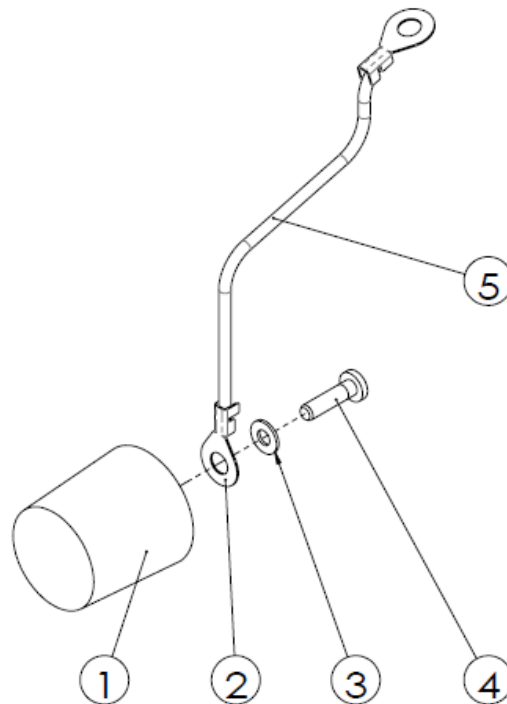
Position No	Article No	Description	Qty
A004568 / 1	C04021447	connected rod welded	1
A004568 / 2	C04021449	pedal welded	1
A004568 / 3	C02010157	DIN933-M10x50	2
A004568 / 4	C02020008	nylon lock nut DIN982 M10	2

### 9 mitre block assembly A004929



Position No	Article No	Description	Qty
A000228 / 1	C04021442	mitre block	1
A000228 / 2	C03010029	grip knob GN 531-32-M8-30	1

### 10 water plug assembly A000213



Position No	Article No	Description	Qty
A000213 / 1	C03010021	water plug	1
A000213 / 2	C04020164	rope connector	2
A000213 / 3	C02030015	washer ISO7089-4	1
A000213 / 4	C02010052	self tapping screw ISO7049-ST4.2x16-C-Z	1
A000213 / 5	C05020001	rope water tank	1



No. 180 Hong Xing Road, Xiaoshan District, Hangzhou City, Zhejiang Province, China

2018.1.30