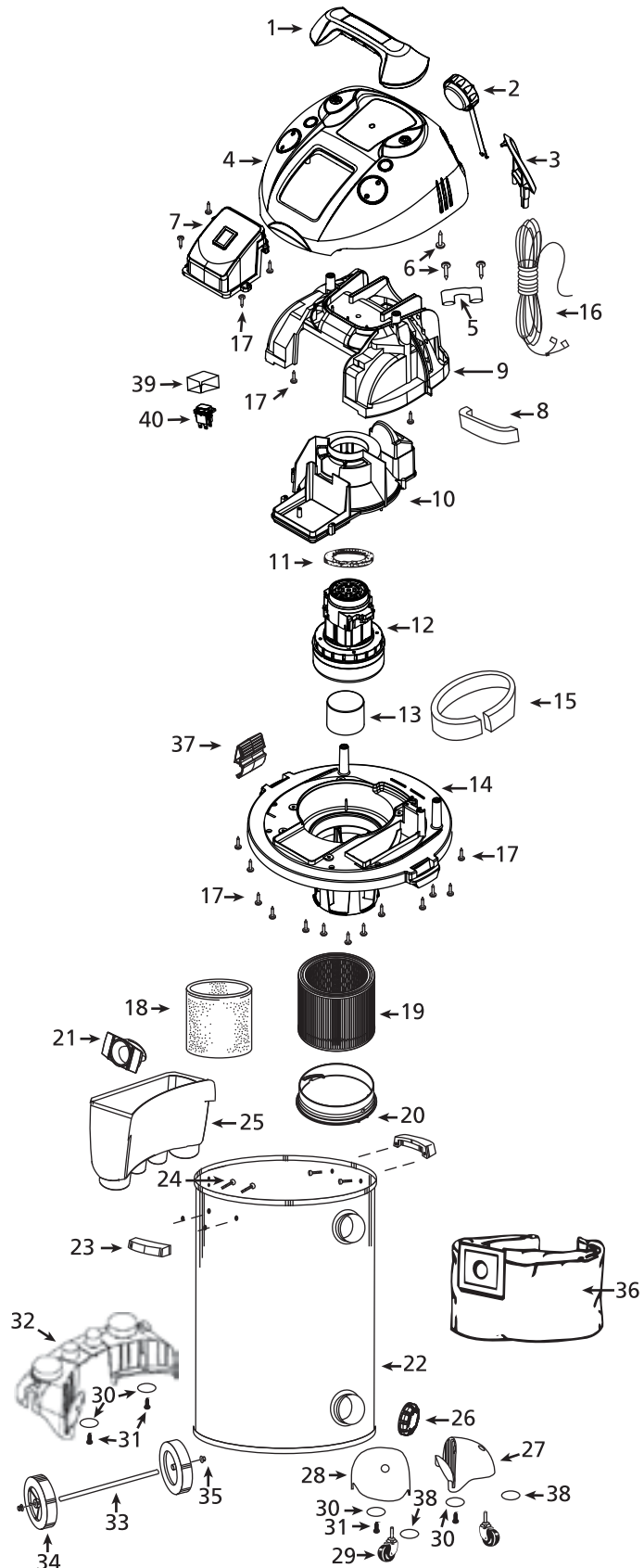


shop.vac[®]

ULTRA45-I

Catalog 9241051
(45 Litre)

ITEM	DESCRIPTION	PART NO.
1	Handle Assembly	6463350
2	Blower Cap Assembly	7412538
3	Power Cord Surround	6463100
4	Top Cover Assembly	1944728
5	Cord Clamp	0049800
6	Screw #6 x 3/4 Type B Phillips	1510499
7	Electrical Panel Assembly (Includes 39-40)	6460570
8	Inner Cover Acoustical Foam	1290556
9	Undercover	6460300
10	Motor Housing	6460410
11	Upper Motor Gasket	2072000
12	Motor	1944641
13	Float Cup	3545000
14	Lid Cage and Latch Assembly	6460640
15	Lid Cage Acoustical Foam	1290555
16	Power Cord	4880035
17	Screw #10 x 3/4" Trilobe T25	1516599
18	Foam Sleeve	9058529
19	Cartridge Filter	9030429
20	Filter Retainer	3008000
21	Inlet Deflector	7413110
22	Tank Assembly	5121697
23	Side Tank Handle	9356000
24	Screw Hex Head #10 x 3/4", Type AB	1503999
25	Accessory Basket	7415111
26	Drain Cover	7446800
27	Caster Foot A	8568900
28	Caster Foot B	8568910
29	Caster	6773900
30	Washer	2781018
31	Screw Hex Head #10 x 1", Type AB	1509699
32	Rear Wheel Dolly	3488900
33	Axle	2442400
34	8" Wheel	2425010
35	Cap Nut	4300299
36	Collection Bag	9066229
37	Lid Latch	6461100
38	Flatwasher	0704399
39	Switch Boot	8232450
40	Switch Double Pole	8232420



* Replacement parts may differ from original equipment.

87542-82